

**U.S. DEPARTMENT OF ENERGY  
OFFICE OF CIVILIAN RADIOACTIVE WASTE MANAGEMENT**

**PRESENTATION TO  
THE NUCLEAR WASTE TECHNICAL REVIEW BOARD**

**SUBJECT: INTRODUCTION**

**PRESENTER: DR. LESLIE J. JARDINE**

**PRESENTER'S TITLE: NUCLEAR ENGINEER  
AND ORGANIZATION: LAWRENCE LIVERMORE NATIONAL LABORATORY  
LIVERMORE, CALIFORNIA 94550**

**PRESENTER'S  
TELEPHONE NUMBER: (415) 423-5032**

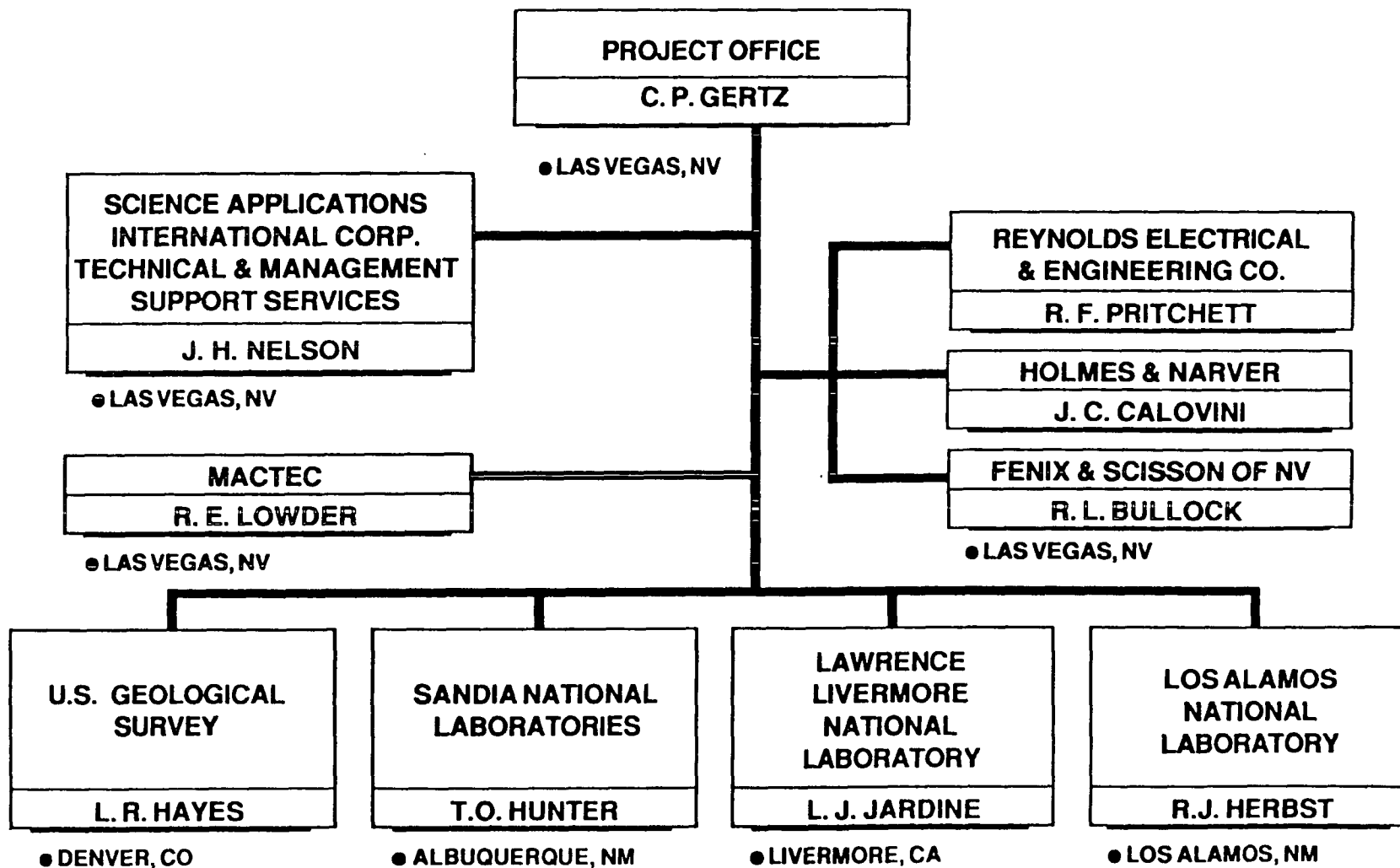
**JANUARY 18-19, 1990**

# Scope of presentation

---

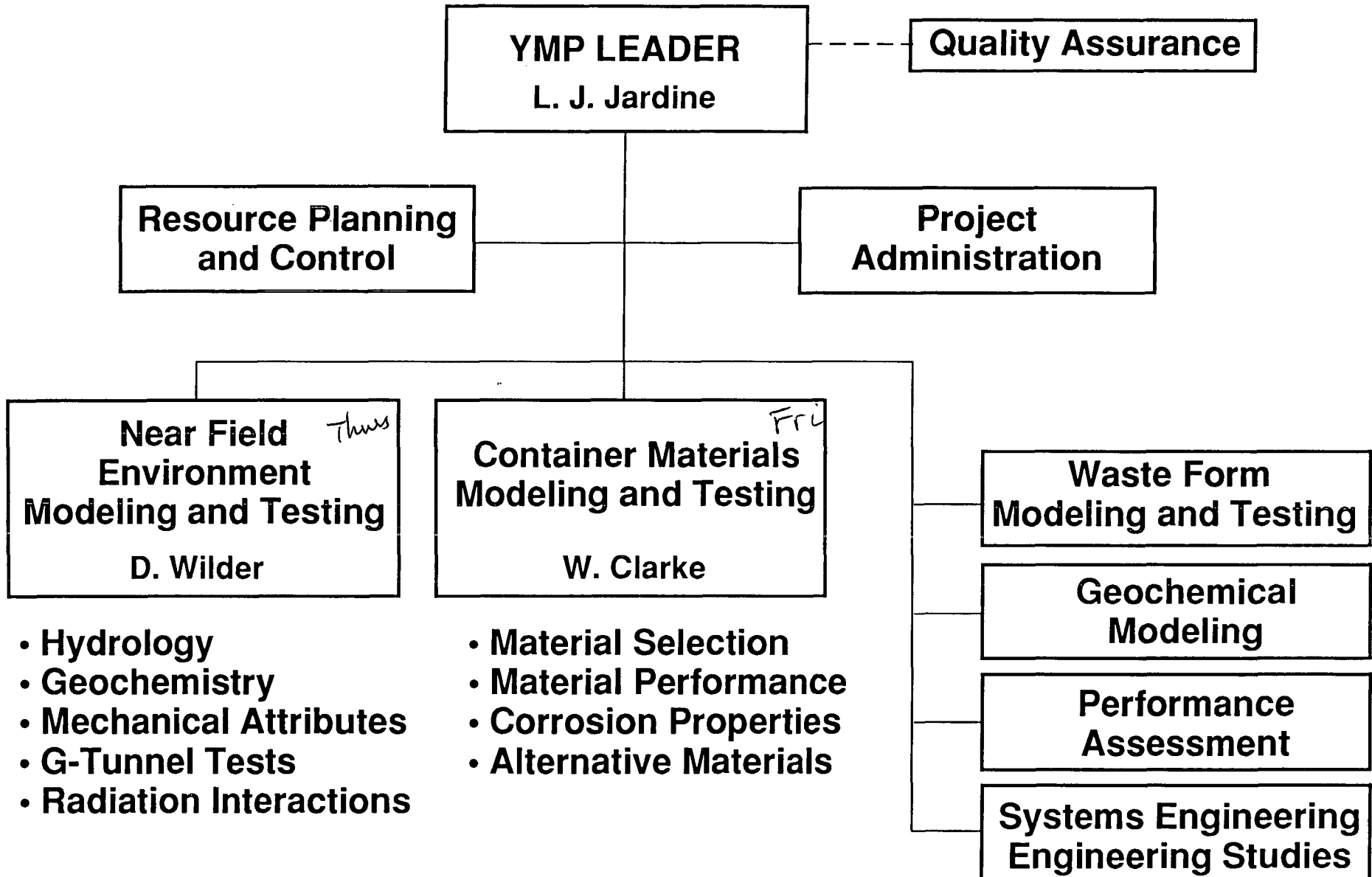
- **Introductory Remarks**
- **Organizational Summary**
- **Reference Waste Package Configurations**
- **Reference Underground Configuration**

# YUCCA MOUNTAIN PROJECT



— PROJECT DIRECTION

# LLNL Organizational Summary



# TUFF REPOSITORY PERSPECTIVE

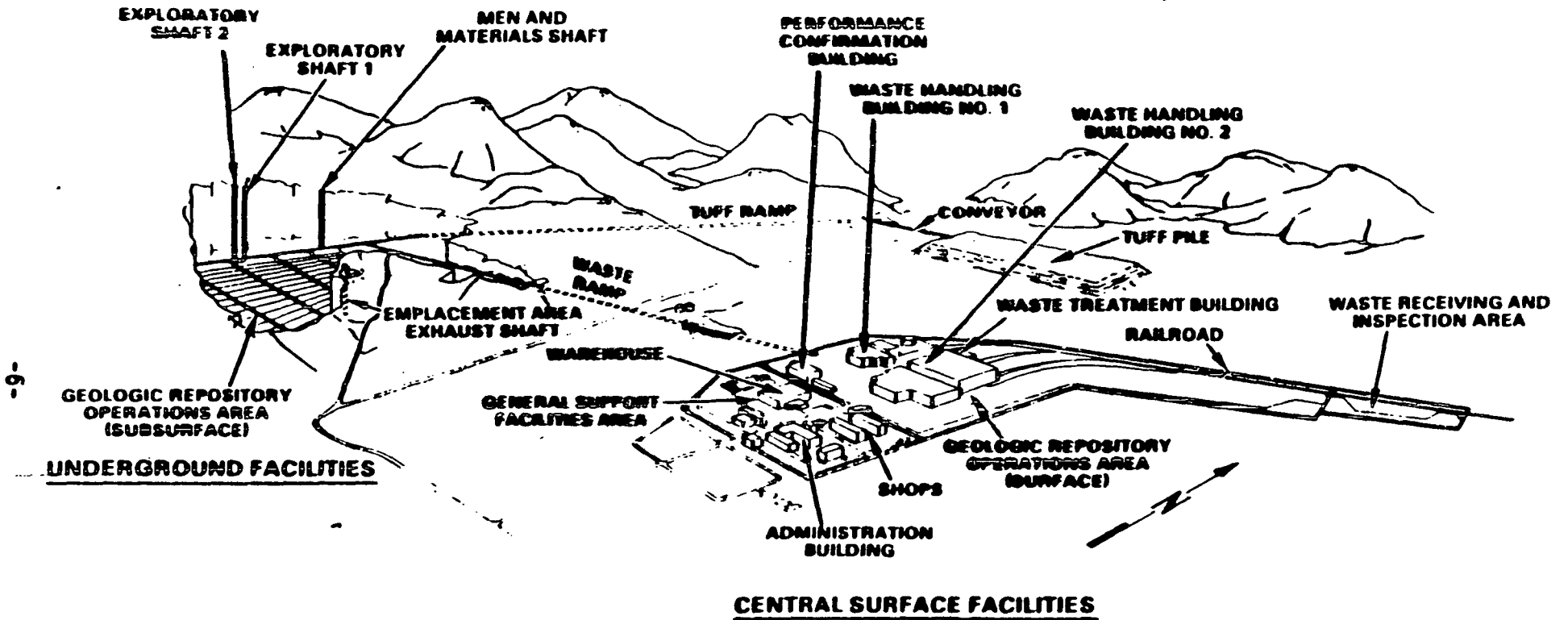


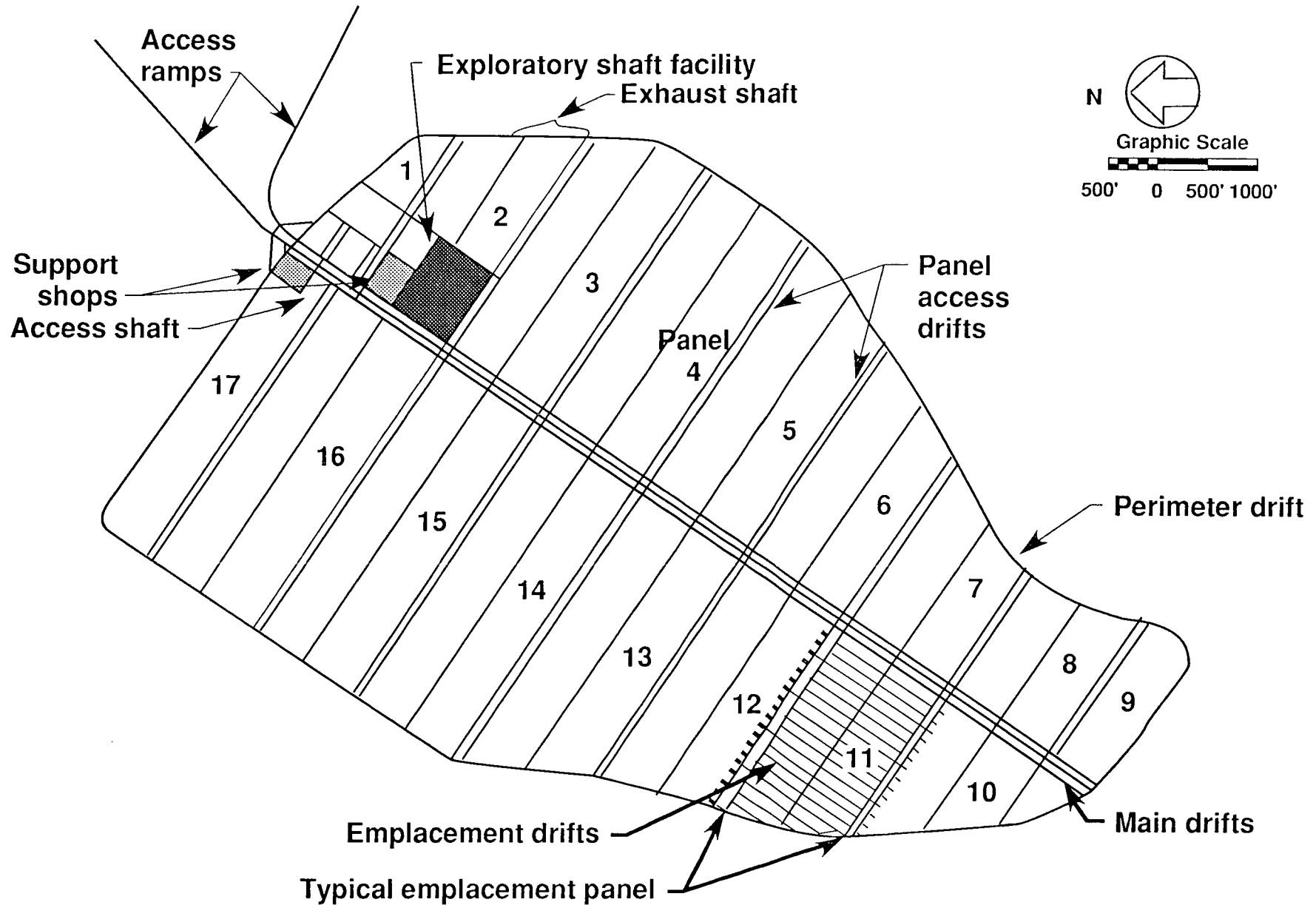
FIGURE 2

# Repository background

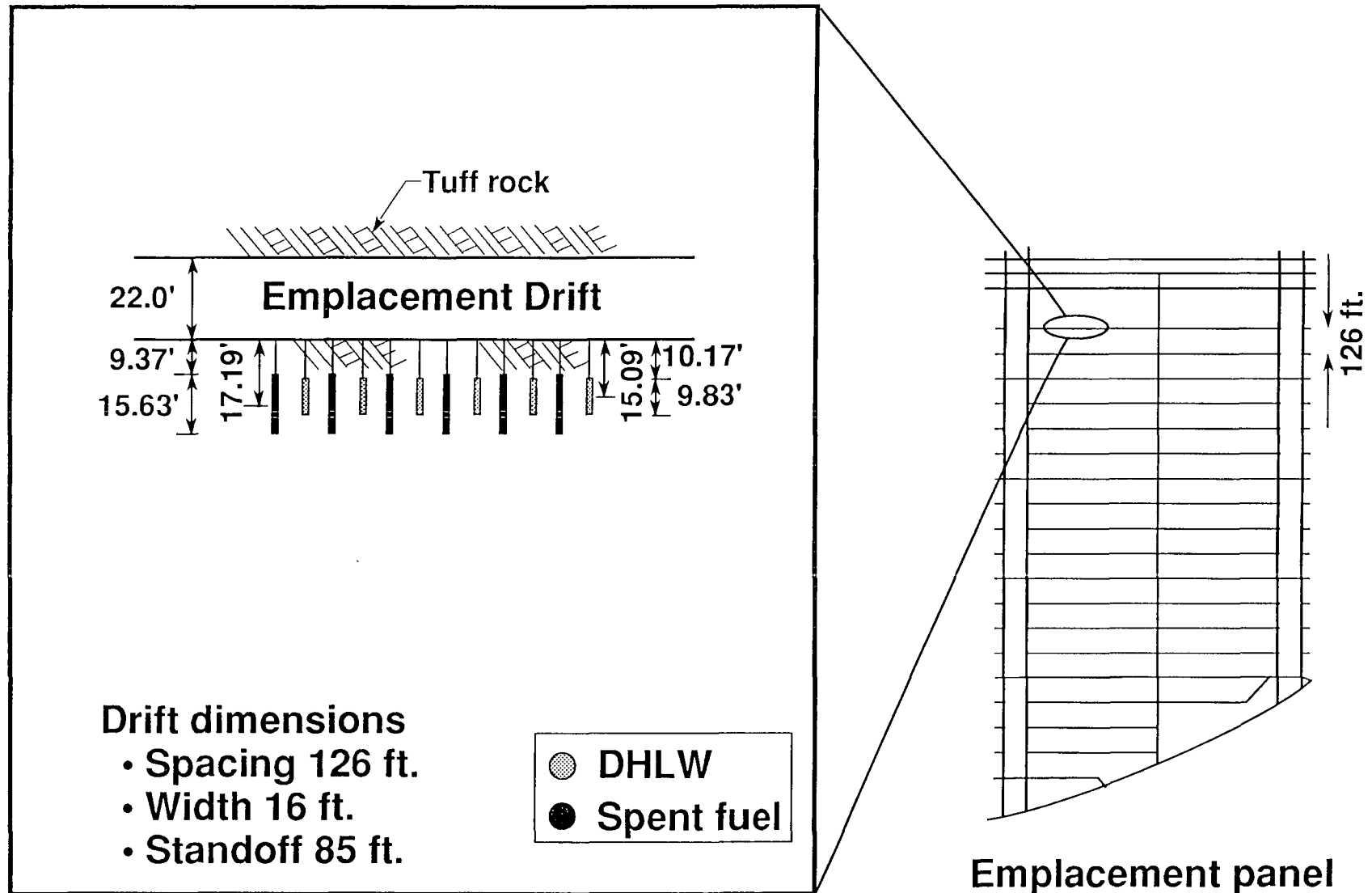
---

- **Annual repository throughput**
  - 3000 MTU spent fuel
  - 400 MTU HLW
- **Total storage capacity: 70,000 MTU**
  - 63,020 MTU spent fuel
  - 6,980 MTU HLW
- **Total number containers (approximate)**
  - 25,000 to 35,000 spent fuel
  - 14,000 HLW

# Underground repository configuration



# Underground repository configuration

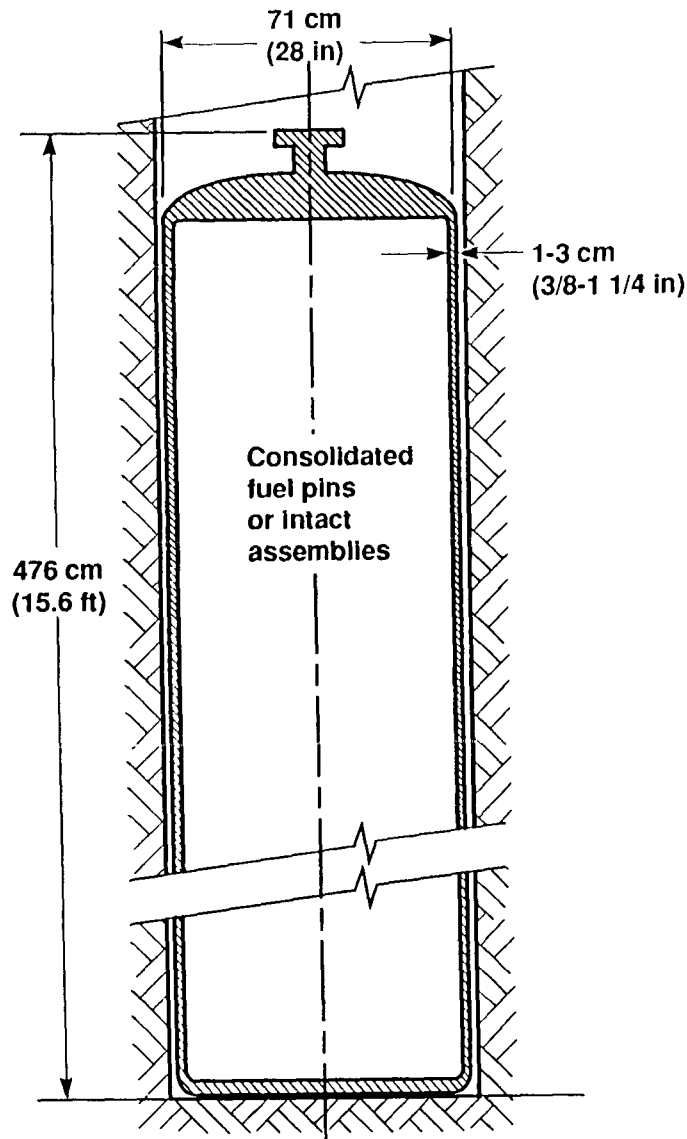


Emplacement drift section

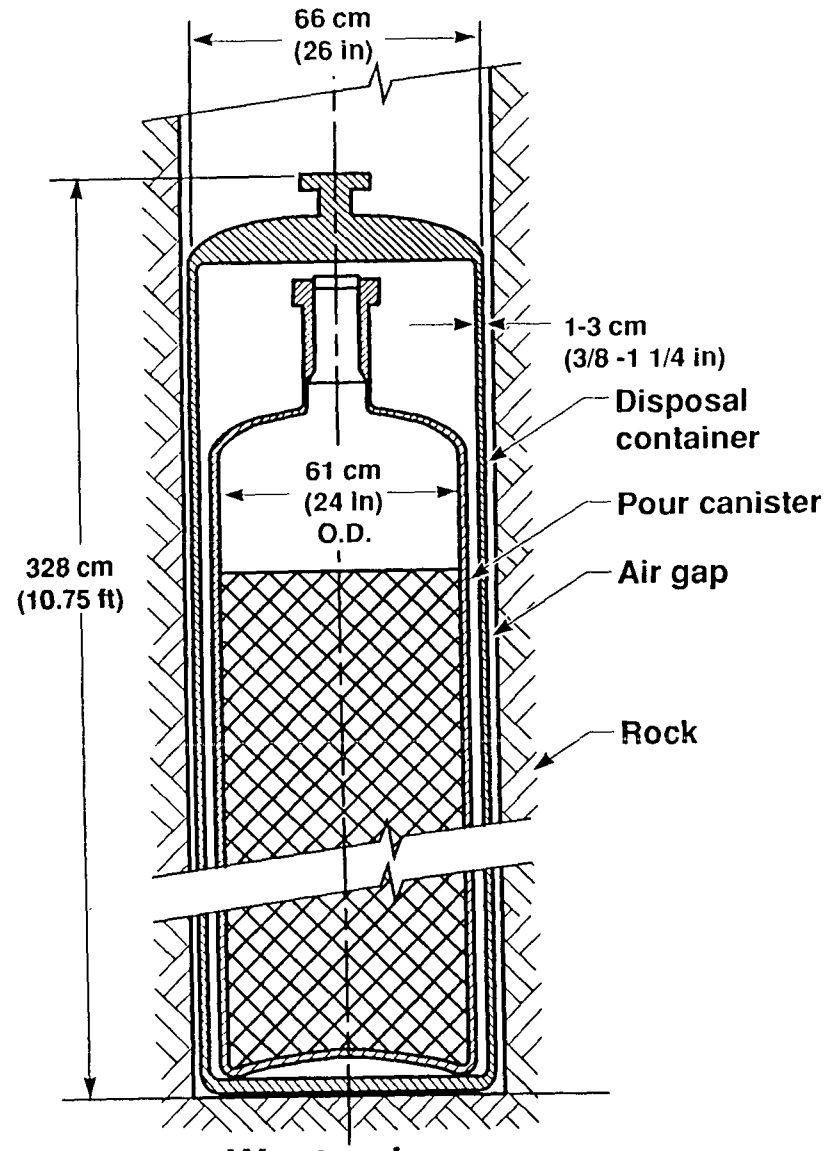
Emplacement panel



# Two types of waste packages will be placed in the repository at Yucca Mountain



**Spent fuel containers  
(25,000 to 35,000)**



**Waste glass  
containers (~14,000)**

# Reference configuration for vertical placement

